

PADDLE WHEEL FLOW TRANSMITTER

Industry's Most Accurate Paddle Wheel Flow Transmitter

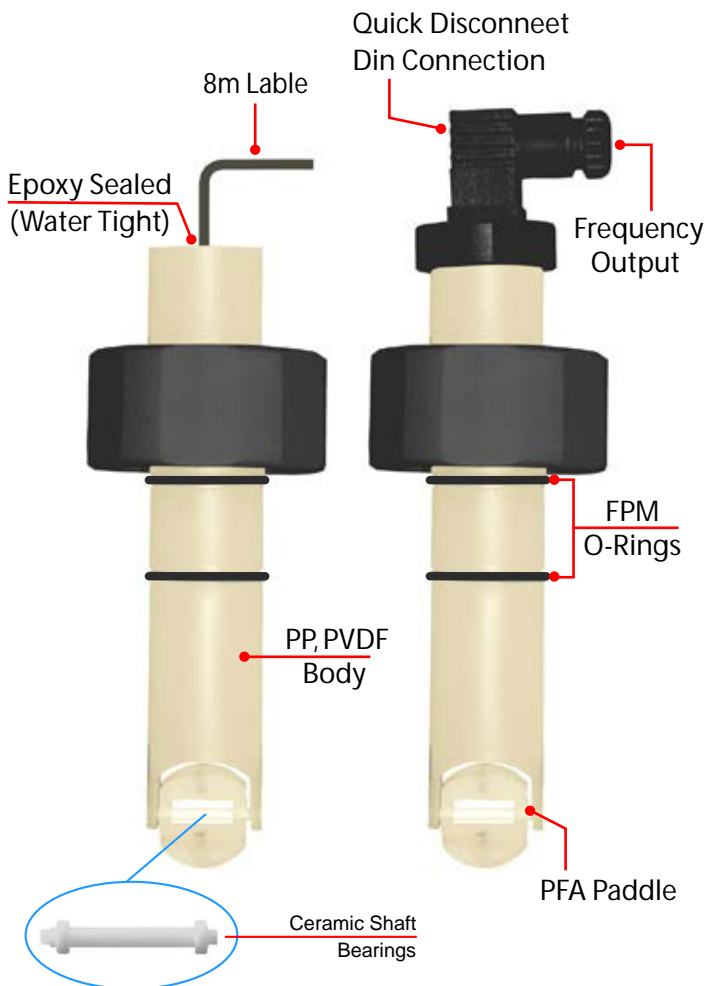
All Plastic Construction

FEATURES

- EXCELLENT CHEMICAL RESISTANCE, PP, PVDF, PFA, CERAMIC
- SIZE RANGE ½" - 24"
- MEASURING FLOW RANGE (0.33 to 26 Ft/s)
- EASY TO INSTALL
- EXCELLENT FOR LOW or HIGH TEMPERATURES -25 to 90°C (-4 to 194°F)
- NEMA 4X (IP65) or NEMA 6 (IP68) RATINGS
- EXTRA LONG LASTING PFA PADDLE (ZIRCONIUM CERAMIC SHAFT & BEARINGS)
- EXCELLENT DOUBLE O-RING SEAL
- HIGH PRESSURE RATING (UP TO 200 PSI)

SPECIFICATION

SPECIFICATION	DESCRIPTION
Supply Voltage	5-24VDC
Measuring Accuracy	±0.75% of Full Scale
Repeatability	±0.5% of Full Scale
Pipe size	0.5 to 4 inch (DN15 to DN100)(T0) 6 to 24 inch (DN150 to SN600)(T1)
Output Frequency	60.5Hz per m/s nominal, 18.45Hz per ft/s nominal
Sensor Body Material	PVDF, PP
Rotor Material	PFA (TEFLON®)
Shaft and Bearings Material	Zirconia Ceramic (ZrO2)
O-rings Materials	FKM (Viton®)
Electrical Connection	DIN Mini-Connector 43650-A (IP65) Electrical cable (IP68)
Cable Type	3 conductor + Shield.26A WG.PVC
Reverse Voltage Protection	Included As Standard
Viscosity Range	0.5 to 20 Centi Stoke (cst)
Maximum Particle Size	<10% with Particle Size (<0.5mm cross section or length)
Maximum Operating Pressure/Temperature	PVDF body (200 psi @ -30 to 80°C, 36 psi @ 90°F) PP Body 180Psi -20to27°C 25Psi@80°C
Storage Condition	PP Body (-30to90°C) PVDF Body (-30to100°C)
CE EMC Certification	EN 55022:1998

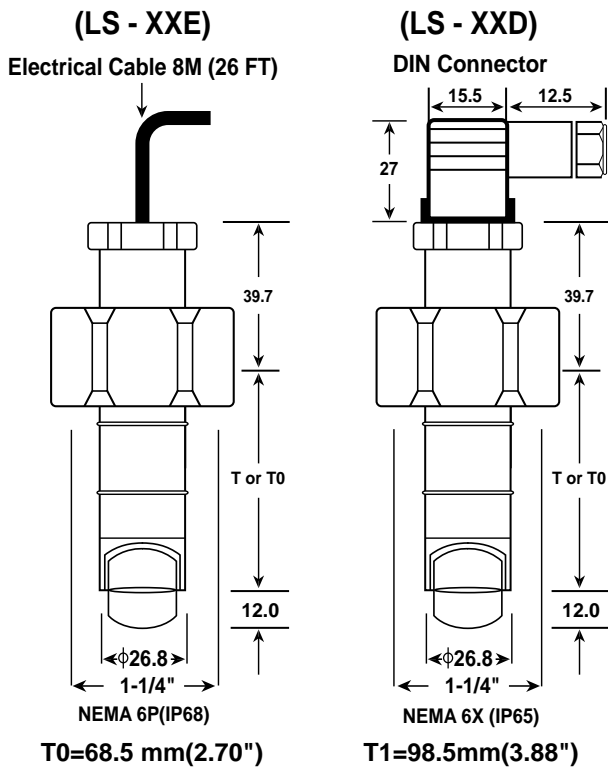


(Max Fluid Velocity should NOT EXCEED 8 ft/sec)

DC Power Only

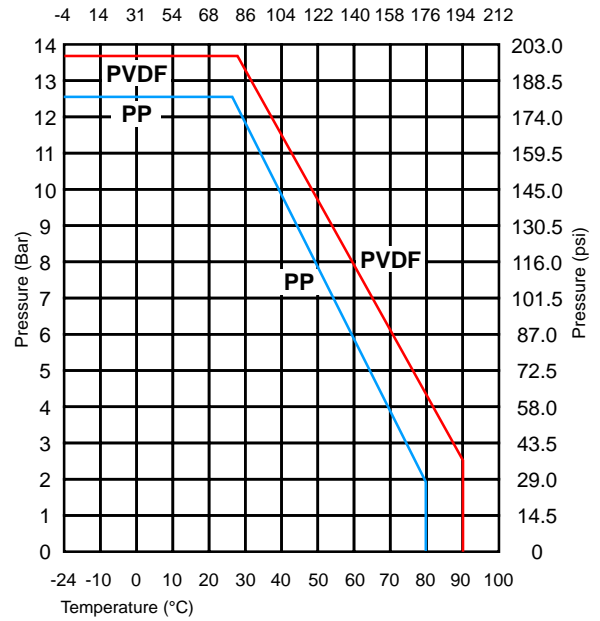
	Sensor Body Material		Sensor Length-Pipe Diameter		Electrical Connection/Protection Class		O-rings
P	PP Body	T0	(1/2"-4")	D	DIN mini-connection 43650-A/IP65	F	FKM(Viton)
V	Natural PVDF (-13 to 194°F)	T1	(6"-24)	E	Electrical cable 8M/IP68 (26 FT)		
				S	Electrical cable (customer) -IP68		

DIMENSION (unit : inch)

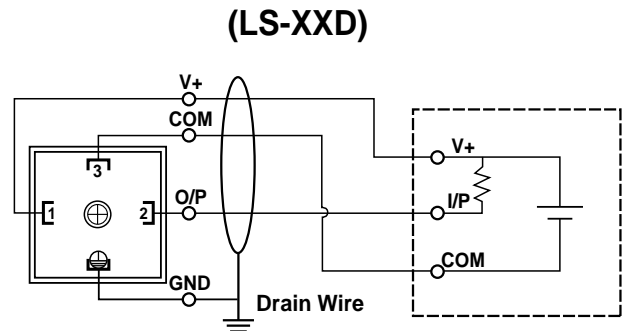
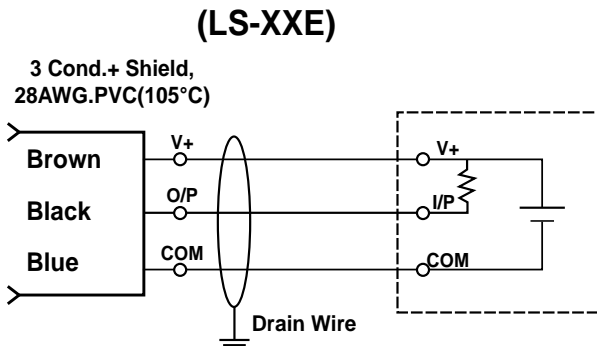


Maximum Operating Pressure/Temperature

- PP Body : (180psi @ 68°F) (25psi @ 176°F)
- PVDF Body : 200psi @ (-20 to 27°C) (-4 to 81 F)



TERMINAL CONNECTIONS



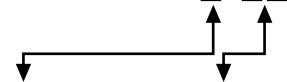
FLOW METER

"GO WITH FLOW"

FITTING FOR LS & LSS SERIES PADDLE WHEEL FLOW METERS

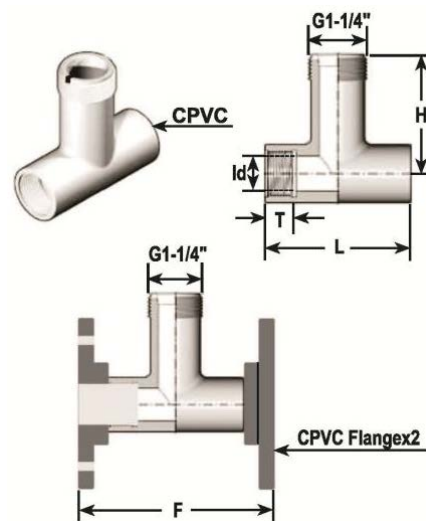
■ CPVC TEE FITTING (SCH80)

MODEL : SLTF-



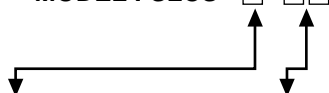
	Type	NO	Size	DN	Id	L	T	H	F	Sensor
A	Tee fitting +ANSI 150 PSI Flanga	10	1"	25	28	102	29	79	164	T0
		12	1-1/4"	30	35	115.5	32	83	185.5	T0
J	Tee fitting +ANSI 150 PSI Flanga	15	1-1/2"	40	43	128	35	83	204	T0
		20	2"	50	54	145.5	38	91.5	221.5	T0
T	Tee fitting	25	2-1/2"	65	65	171	45	98.5	261	T0
		30	3"	80	80	171	45	110	261	T0
	■ CPVC tee fitting for ASTM SCH80 Pipe	40	4"	100	100	237.5	57	126	333.5	T0

• Unit:mm



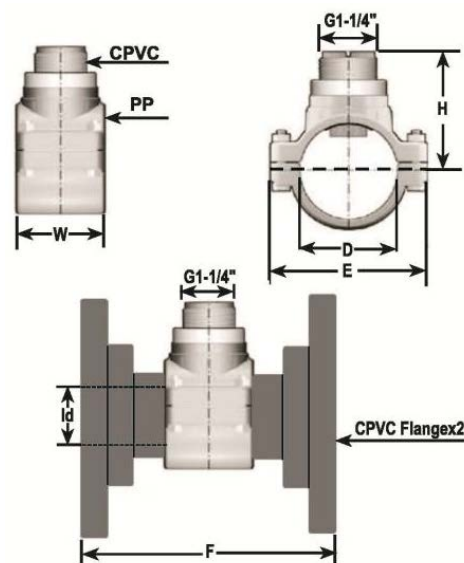
■ CPVC +PP CLAMP SADDLES (SCH80)

MODEL : SLCS -



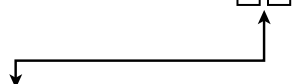
NO	Type	NO	Size	DN	Id	D	E	W	H	F	Sensor
A	CPVC+PP Clamp Saddles +ANSI 150PSI Flange (CPVC)	20	2"	50	48.59	63	108	79	78	171	T0
		25	2-1/2"	65	58.17	75	117	88	81.5	173	T0
C	CPVC+PP Clamp Saddles	30	3"	80	72.75	90	130	98	90	194	T0
J	CPVC+PP Clamp Saddles +JIS 10K Flange (CPVC)	40	4"	100	96.16	110	158	95	100.5	193	T0
		60	6"	150	145.01	160	215	116	127	214	T1

- Unit:mm
- Operating temperature:-22~+212°F(-30~+100°C)
- Note1:SUS304 Bolt and Nut for PP Clamp Saddles
- Note2:SLCS-/CXX (Drilling hole=40mm)



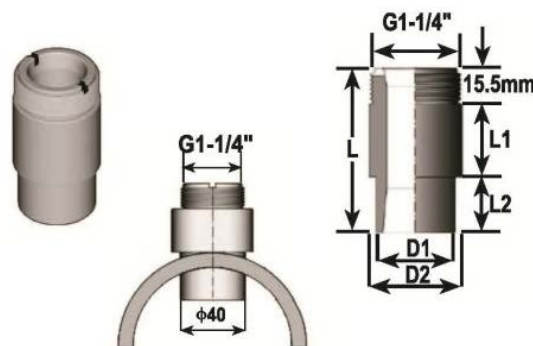
■ CPVC GLUE-ON ADAPTERS

MODEL:SLPG -



NO	Pipe Size (DN)	L	L1	L2	D1	D2	Drilling Hole	Sensor Length
L0	0.5"~4"(15~100)	68.5	43.5	9.5	40	50	40	T0
L1	6"~24"(150~600)	98.5	51	32	40	50	40	T1

- Unit:mm
- Operating temperature:-22~+212°F(-30~+100°C)



- CPVC SOLVENT CEMENT
- MODEL:SLC [Unit:1Pint/case=0.125 Gallon/case(Cement color-Gray)]